

### Model D-2 Yacht Horn

Kahlenberg Chimetone Air Horns all utilize more than one projector or “trumpet” in their design. These projectors each produce a different fundamental frequency which combine to produce powerful, distinctive, musical chords. To hear a Chimetone Air Horn is to realize that the sound of a vessel can be one of its most impressive aspects. The Model D-2 Air Horn is designed for the most discriminating yachtsman. It is made entirely of bronze and brass, and is available in triple chrome plate finish as well as a variety of other optional finishes.



#### TECHNICAL DATA

Fundamental Frequency: 266, 212 Hz

S.P.L.: (1/3 Octave @ 1 Meter): 132 dB

Air Consumption:

29 C.F.M. @ 100 p.s.i., 8 l/s @ 7 bar

Air Pressure Required:

100 to 250 p.s.i., 7 to 17 bar  
(Higher pressures with optional regulators)

Electrical Power Required:

Any standard A.C. or D.C. Voltage

Material: Cast Bronze and Spun Brass

Net Weight: 33 lbs., 15 kg.,  
D-2CVL: 44 lbs., 20 kg.

Finish:

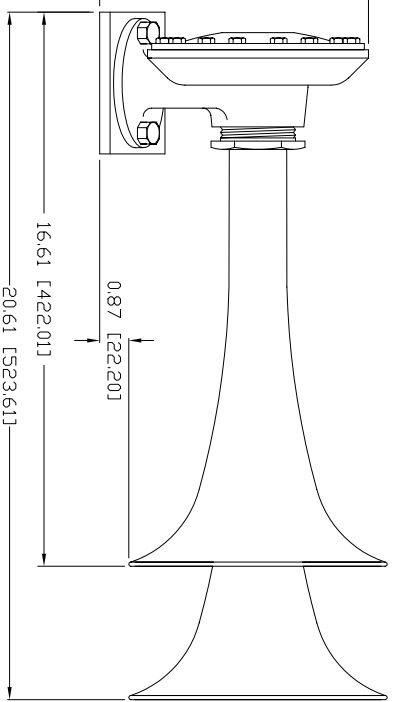
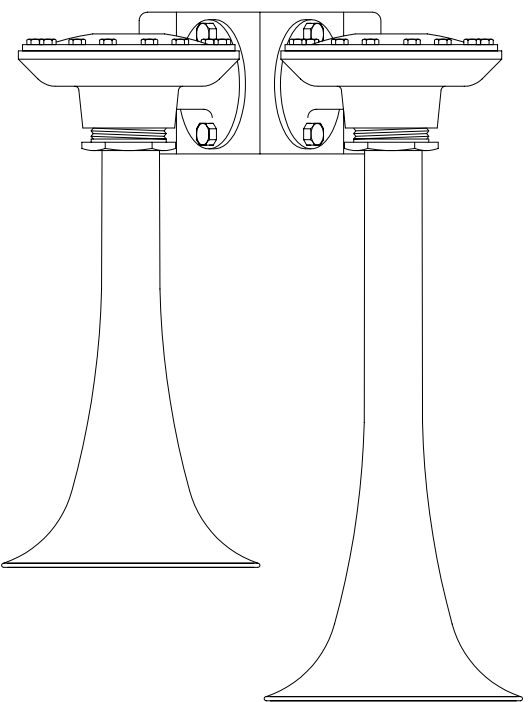
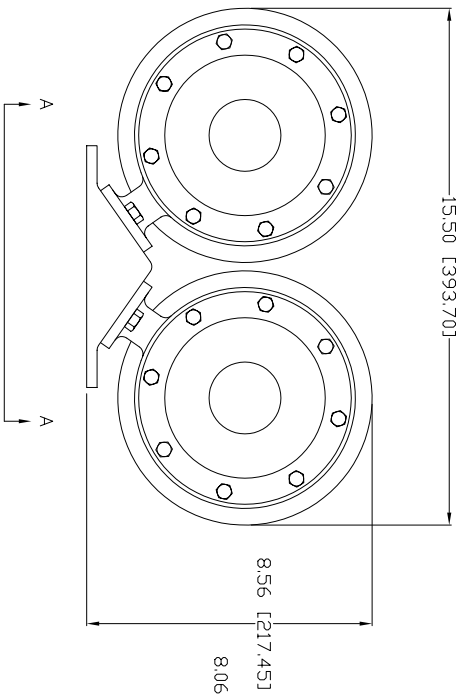
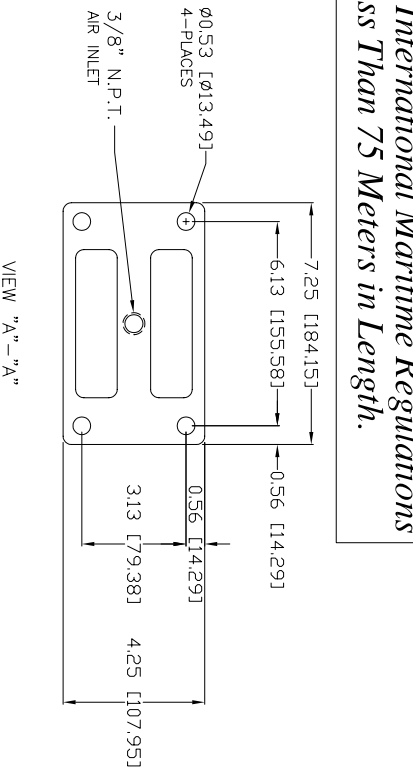
Kahlenberg Chrome Plate, TGIC Sky  
White Powdercoat, Gold or Black  
Chrome PVD

Dimensions:

20.5" x 15.5" x 8.5" (524x394x217)

- **FOR VESSELS LESS THAN 75 METERS IN LENGTH**
- **MEETS OR EXCEEDS IMO REQUIREMENTS**
- **LOW AIR CONSUMPTION, OPERATES ON A WIDE RANGE OF AIR PRESSURE**
- **HIGHLY RELIABLE, VIRTUALLY NO MAINTENANCE**

*Conforming to International Maritime Regulations  
For Vessels Less Than 75 Meters in Length.*



**TECHNICAL DATA**  
 Frequency: 266 Hz & 212 Hz  
 Sound Pressure Level (1/3 octave at 1 meter): 132dB  
 Sound Pressure Level (dB(A) at 1 meter): 139dB  
 Air Consumption: appx. 44 CFM @ 150 P.S.I.  
 Air Pressure Req: 100 To 250 P.S.I.  
 Electric Power: N/A  
 Material: Spun Brass & Cast Bronze  
 Net Weight: 33.00 Lbs.  
 Shipping Weight: 40 Lbs.

Price: ( A.)

**REVISIONS**

REV.	BY	DATE	DESCRIPTION	APP'D.
A	ZUN	10/16/08	S.P.L. 1/3 OCTAVE BAND WAS 139dB S.P.L. db(A) WAS 132dB	EMK

*Kahlenberg's*  
 KAHLENBERG BROS. CO. TWO P

**MODEL D-2  
AIRHORN**

DATE	DRWG. NO.	REV.
04/12/01	3-6089	A